



Technische  
specificaties



Blok Easy Glass

Topmontage

Spigot Fixing  
Spigot Fixing Glass Link

Zijmontage

Two Point Fixing  
Blok Fixing  
Blok Fixing Full Glass

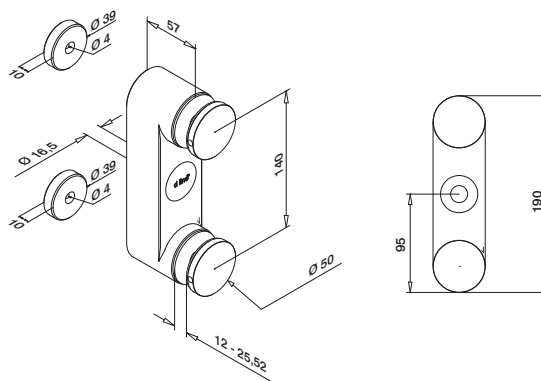
Handrailingsteunen

Glasbevestiging  
Glasbevestiging, paar  
Wandbevestiging

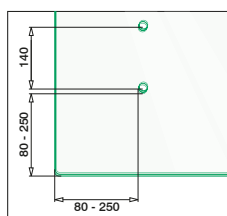
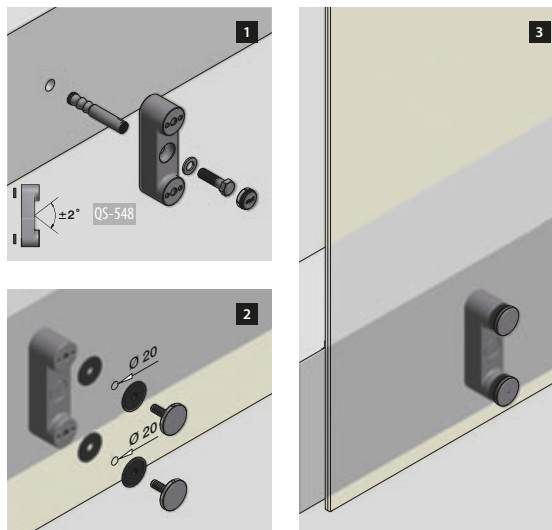
Buis / Omnibend

Bochtstukken  
Eindstukken  
Eindstukken wandbevestiging

Losse producten



BLOK EASY GLASS	
316	T
14.9031.025.12	12-25,52





Blok Easy Glass

Topmontage  
Spigot Fixing  
Spigot Fixing Glass Link

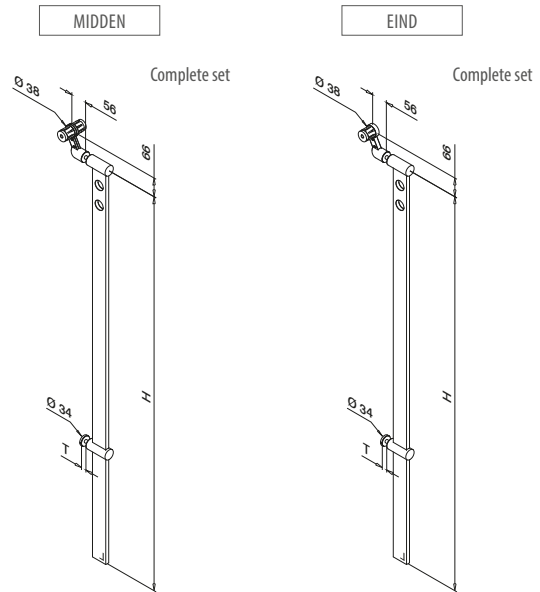
Zijmontage  
Two Point Fixing  
Blok Fixing  
Blok Fixing Full Glass

Handrailingsteunen  
Glasbevestiging  
Glasbevestiging, paar  
Wandbevestiging

Buis / Omnibend  
Bochtstukken  
Eindstukken  
Eindstukken wandbevestiging

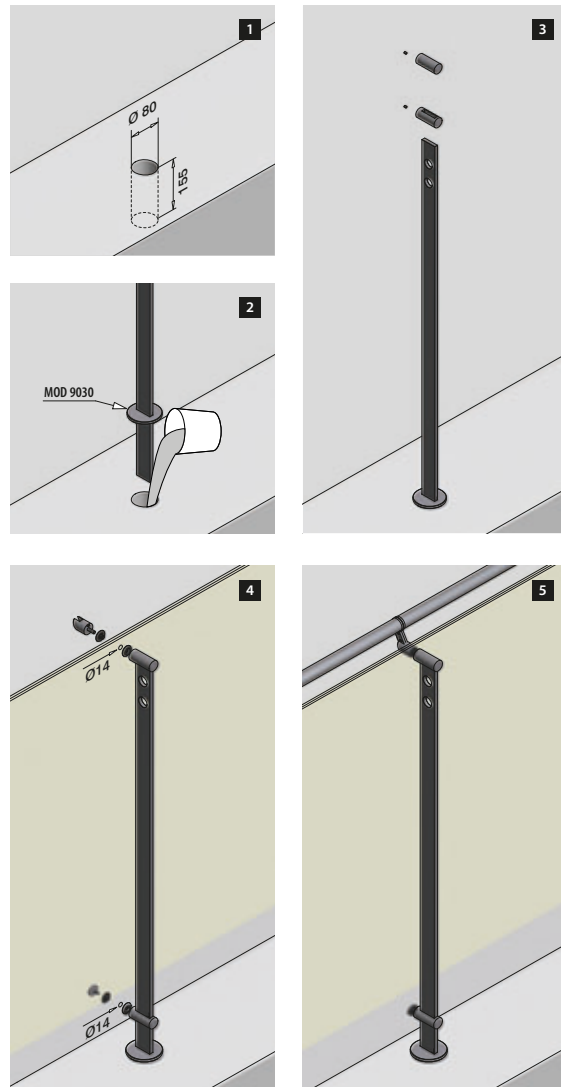
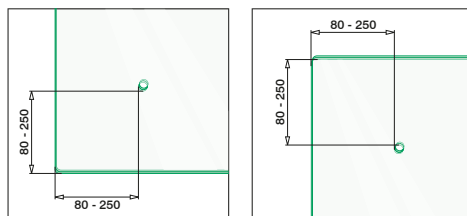
Losse producten

d line



MIDDEN			
SPIGOT FIXING (ADAPTERBEVESTIGING)			
316	T	H	
14.9058.092.12	10-12	1200	
14.9058.096.12	12,76-16	1200	
14.9058.099.12	16,76-20	1200	
14.9058.095.12	21,52-25,52	1200	
14.9058.112.12	10-12	1400	
14.9058.116.12	12,76-16	1400	
14.9058.119.12	16,76-20	1400	
14.9058.115.12	21,52-25,52	1400	

EIND			
316	T	H	
14.9057.092.12	10-12	1200	
14.9057.096.12	12,76-16	1200	
14.9057.099.12	16,76-20	1200	
14.9057.095.12	21,52-25,52	1200	
14.9057.112.12	10-12	1400	
14.9057.116.12	12,76-16	1400	
14.9057.119.12	16,76-20	1400	
14.9057.115.12	21,52-25,52	1400	



Blok Easy Glass

**Topmontage**

Spigot Fixing  
Spigot Fixing Glass Link

**Zijmontage**

Two Point Fixing  
Blok Fixing  
Blok Fixing Full Glass

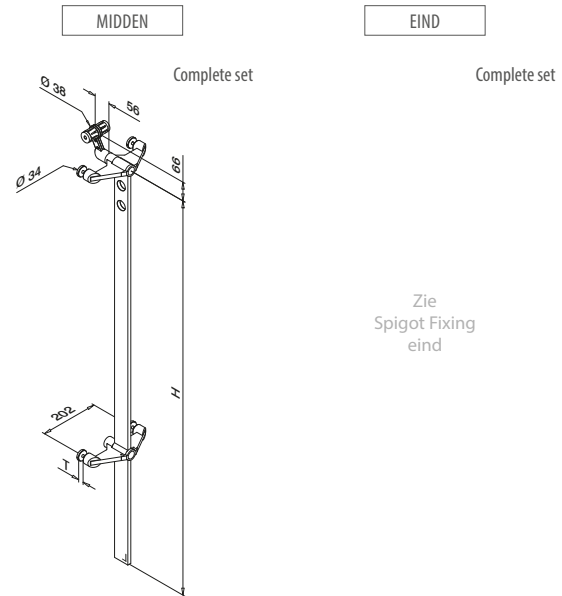
**Handrailingsteunen**

Glasbevestiging  
Glasbevestiging, paar  
Wandbevestiging

Buis / Omnibend

Bochtstukken  
Eindstukken  
Eindstukken wandbevestiging

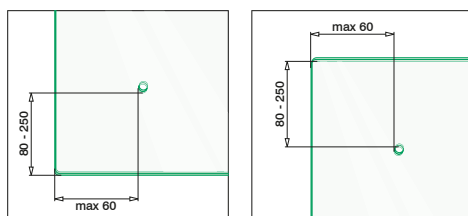
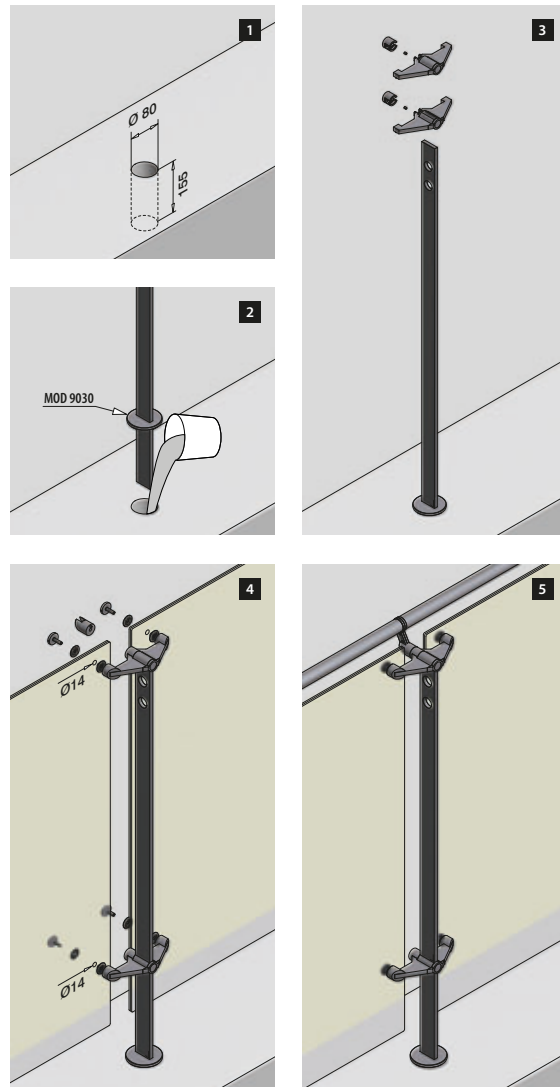
Losse producten



MIDDEN			
SPIGOT FIXING GLASS LINK (SPIDERBEVESTIGING)			
316	T	H	
14.9056.092.12	10-12	1200	
14.9056.096.12	12,76-16	1200	
14.9056.099.12	16,76-20	1200	
14.9056.095.12	21,52-25,52	1200	
14.9056.112.12	10-12	1400	
14.9056.116.12	12,76-16	1400	
14.9056.119.12	16,76-20	1400	
14.9056.115.12	21,52-25,52	1400	

EIND	
316	

Zie Spigot Fixing



◀ Productinformatie: zie pagina 87



Blok Easy Glass

**Topmontage**

Spigot Fixing  
Spigot Fixing Glass Link

**Zijmontage**

Two Point Fixing  
Blok Fixing  
Blok Fixing Full Glass

**Handrailingsteunen**

Glasbevestiging  
Glasbevestiging, paar  
Wandbevestiging

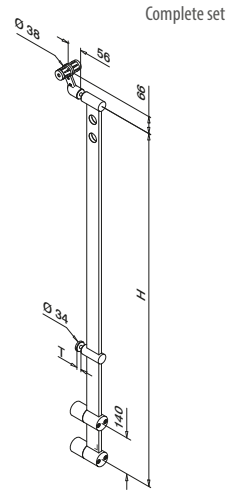
Buis / Omnibend

Bochtstukken  
Eindstukken  
Eindstukken wandbevestiging

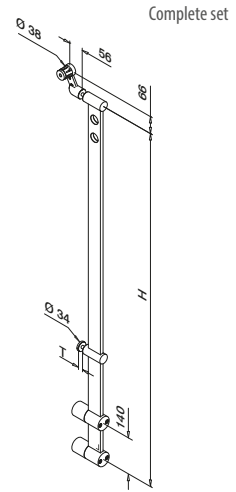
Losse producten

d line

MIDDEN

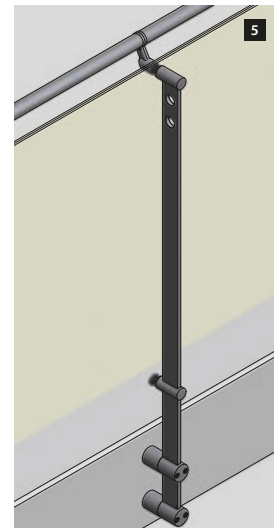
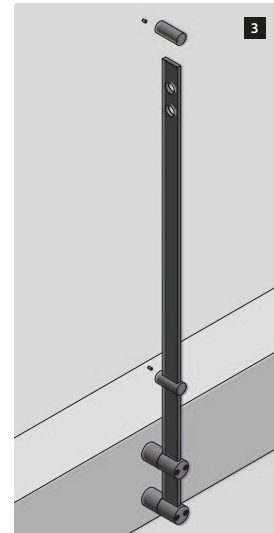
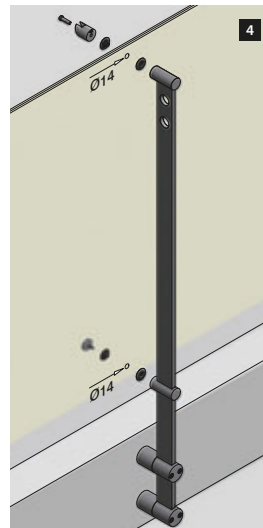
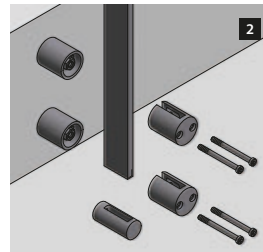
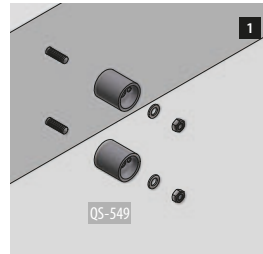
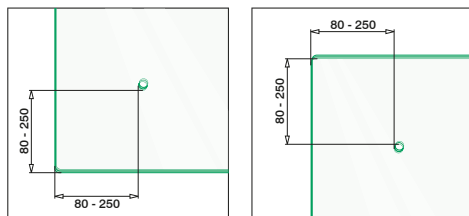


EIND



MIDDEN			
TWO POINT FIXING (ZIJMONTAGE MET 2 ADAPTERS)			
316	T	H	
14.9051.092.12	10-12	1200 (900)	
14.9051.096.12	12,76-16	1200 (900)	
14.9051.099.12	16,76-20	1200 (900)	
14.9051.095.12	21,52-25,52	1200 (900)	
14.9051.112.12	10-12	1400 (1100)	
14.9051.116.12	12,76-16	1400 (1100)	
14.9051.119.12	16,76-20	1400 (1100)	
14.9051.115.12	21,52-25,52	1400 (1100)	

EIND			
316	T	H	
14.9052.092.12	10-12	1200 (900)	
14.9052.096.12	12,76-16	1200 (900)	
14.9052.099.12	16,76-20	1200 (900)	
14.9052.095.12	21,52-25,52	1200 (900)	
14.9052.112.12	10-12	1400 (1100)	
14.9052.116.12	12,76-16	1400 (1100)	
14.9052.119.12	16,76-20	1400 (1100)	
14.9052.115.12	21,52-25,52	1400 (1100)	



Blok Easy Glass

Topmontage

Spigot Fixing  
Spigot Fixing Glass Link

Zijmontage

Two Point Fixing

Blok Fixing

Blok Fixing Full Glass

Handrailingsteunen

Glasbevestiging  
Glasbevestiging, paar  
Wandbevestiging

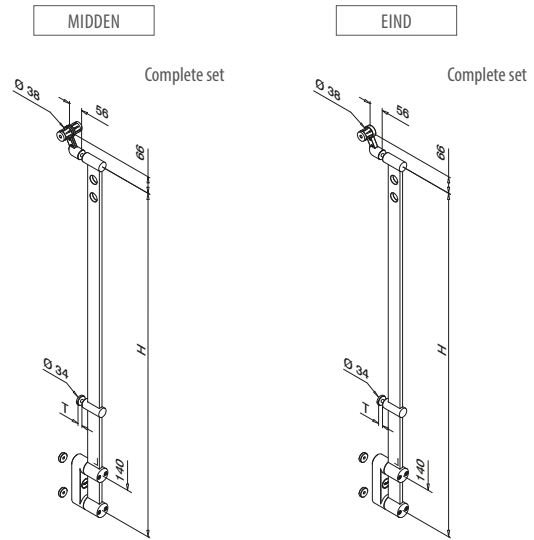
Buis / Omnibend

Bochtstukken

Eindstukken

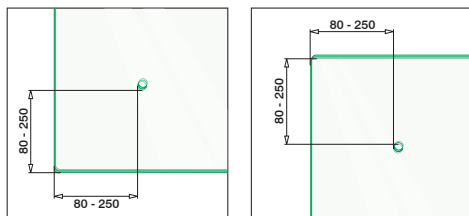
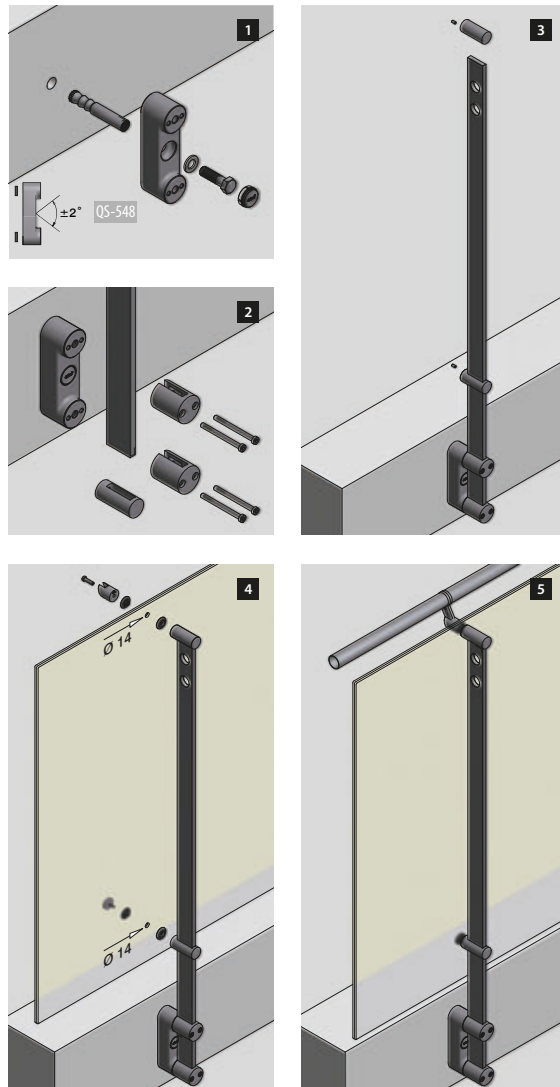
Eindstukken wandbevestiging

Losse producten



MIDDEN			
BLOK FIXING (GLASADAPTERBEVESTIGING)			
316	T	H	
14.9061.092.12	10-12	1200 (900)	
14.9061.096.12	12,76-16	1200 (900)	
14.9061.099.12	16,76-20	1200 (900)	
14.9061.095.12	21,52-25,52	1200 (900)	
14.9061.112.12	10-12	1400 (1100)	
14.9061.116.12	12,76-16	1400 (1100)	
14.9061.119.12	16,76-20	1400 (1100)	
14.9061.115.12	21,52-25,52	1400 (1100)	

EIND			
316	T	H	
14.9062.092.12	10-12	1200 (900)	
14.9062.096.12	12,76-16	1200 (900)	
14.9062.099.12	16,76-20	1200 (900)	
14.9062.095.12	21,52-25,52	1200 (900)	
14.9062.112.12	10-12	1400 (1100)	
14.9062.116.12	12,76-16	1400 (1100)	
14.9062.119.12	16,76-20	1400 (1100)	
14.9062.115.12	21,52-25,52	1400 (1100)	





Blok Easy Glass

Topmontage

Spigot Fixing  
Spigot Fixing Glass Link

Zijmontage

Two Point Fixing  
Blok Fixing  
Blok Fixing Full Glass

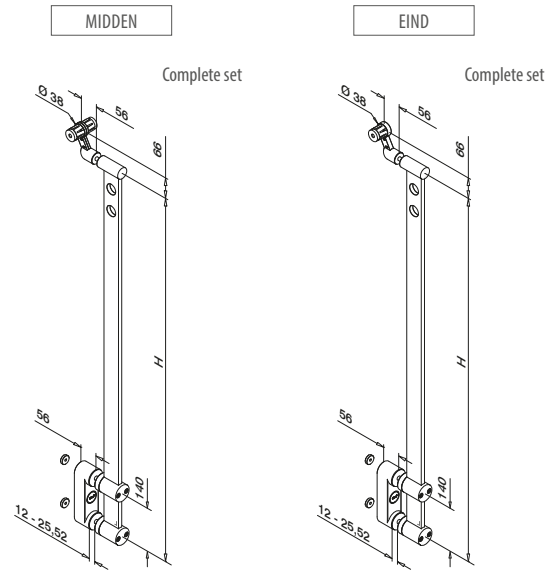
Handrailingsteunen

Glasbevestiging  
Glasbevestiging, paar  
Wandbevestiging

Buis / Omnibend

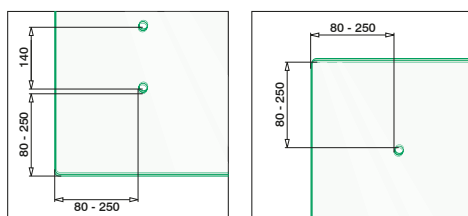
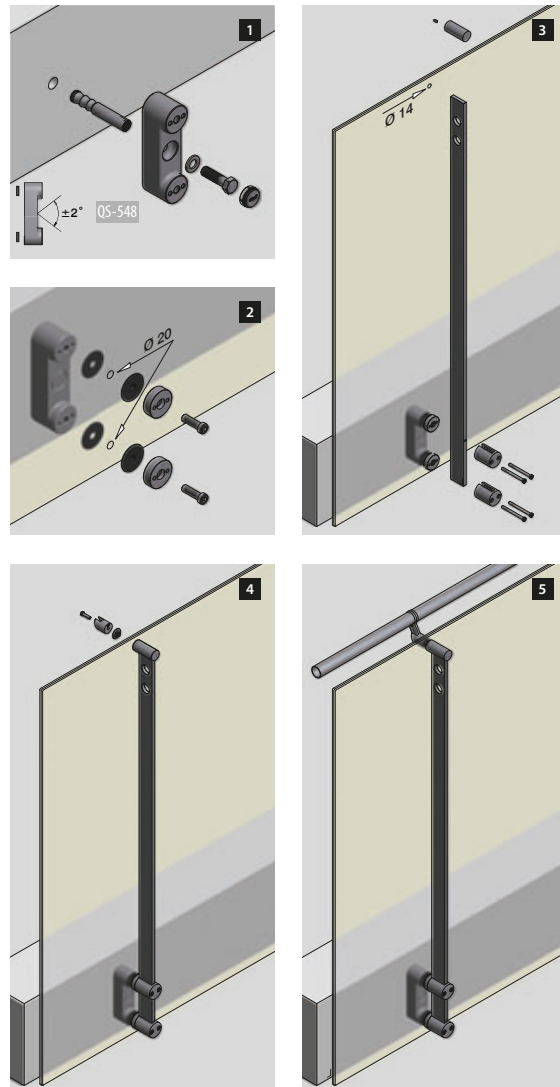
Bochtstukken  
Eindstukken  
Eindstukken wandbevestiging

Losse producten



MIDDEN		
BLOK FIXING FULL GLASS (VOOR DOORLOPEND GLAS)		
316	T	H
14.9032.090.12	12-25,52	1200 (900)
14.9032.110.12	12-25,52	1400 (1100)

EIND		
316	T	H
14.9033.090.12	12-25,52	1200 (900)
14.9033.110.12	12-25,52	1400 (1100)







Blok Easy Glass

**Topmontage**

Spigot Fixing  
Spigot Fixing Glass Link

**Zijmontage**

Two Point Fixing  
Blok Fixing  
Blok Fixing Full Glass

**Handrailingsteunen**

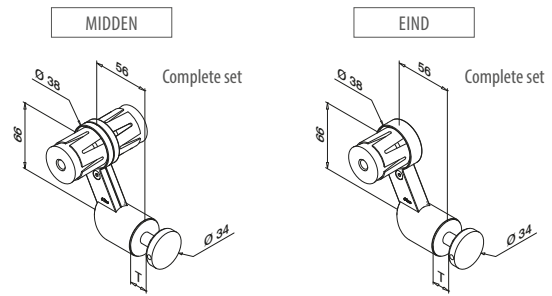
Glasbevestiging  
Glasbevestiging, paar  
Wandbevestiging

Buis / Omnibend  
Bochtstukken  
Eindstukken  
Eindstukken wandbevestiging

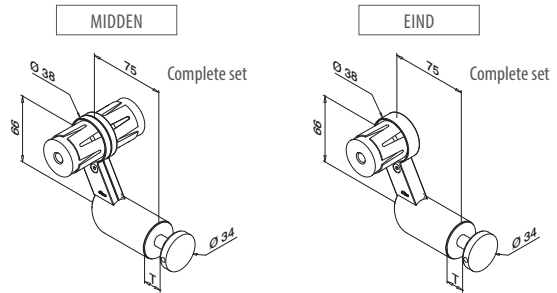
Losse producten

d line

**Kort**



**Lang**

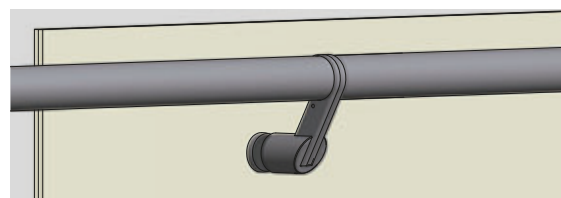
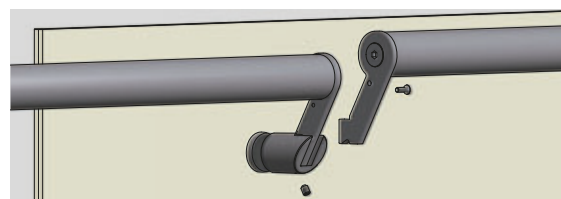
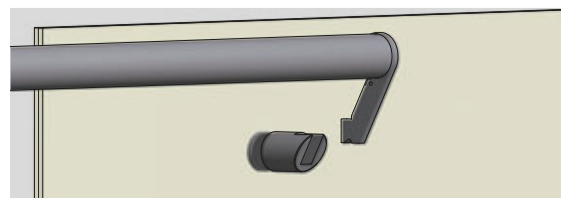
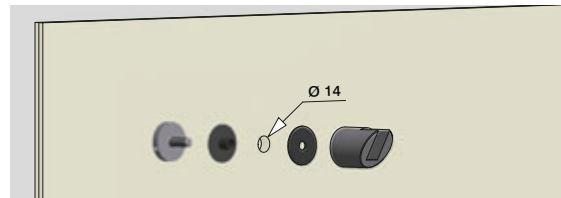


MIDDEN	
HANDRAILINGSTEUN, GLASBEVESTIGING	
316	T
14.9041.302.12	10-12
14.9041.306.12	12,76-16
14.9041.309.12	16,76-20
14.9041.305.12	21,52-25,52

EIND	
316	T
14.9041.402.12	10-12
14.9041.406.12	12,76-16
14.9041.409.12	16,76-20
14.9041.405.12	21,52-25,52

MIDDEN	
HANDRAILINGSTEUN, GLASBEVESTIGING	
316	T
14.9041.502.12	10-12
14.9041.506.12	12,76-16
14.9041.509.12	16,76-20
14.9041.505.12	21,52-25,52

EIND	
316	T
14.9041.602.12	10-12
14.9041.606.12	12,76-16
14.9041.609.12	16,76-20
14.9041.605.12	21,52-25,52



Blok Easy Glass

**Topmontage**

Spigot Fixing  
Spigot Fixing Glass Link

**Zijmontage**

Two Point Fixing  
Blok Fixing  
Blok Fixing Full Glass

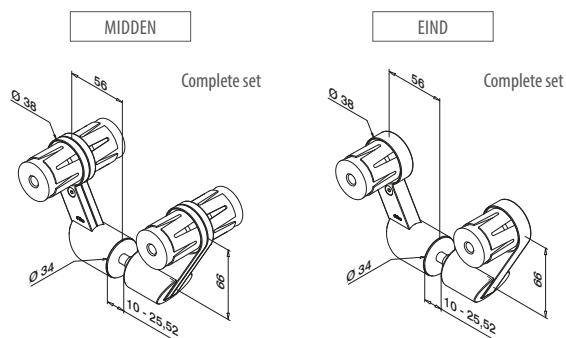
**Handrailingsteunen**

Glasbevestiging  
Glasbevestiging, paar  
Wandbevestiging

Buis / Omnibend  
Bochstukken  
Eindstukken  
Eindstukken wandbevestiging

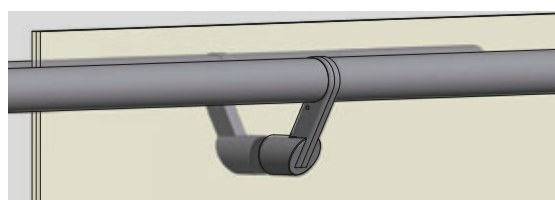
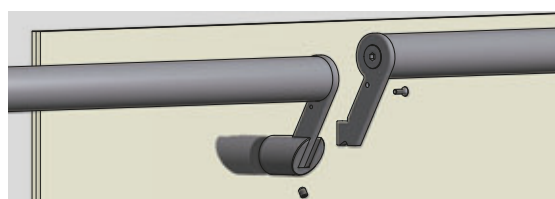
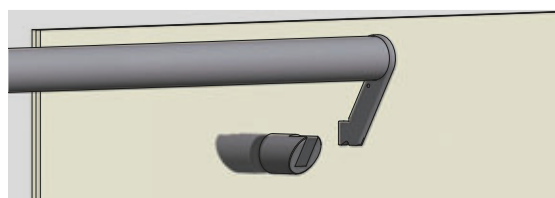
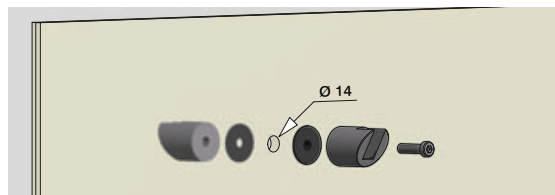
Losse producten

**Kort**



MIDDEN	
<b>HANDRAILINGSTEUN, GLASBEVESTIGING, PAAR</b>	
<b>316</b>	<b>T</b>
14.9041.100.12	10-25,52

EIND	
<b>316</b>	<b>T</b>
14.9041.200.12	10-25,52





Blok Easy Glass

**Topmontage**

Spigot Fixing  
Spigot Fixing Glass Link

**Zijmontage**

Two Point Fixing  
Blok Fixing  
Blok Fixing Full Glass

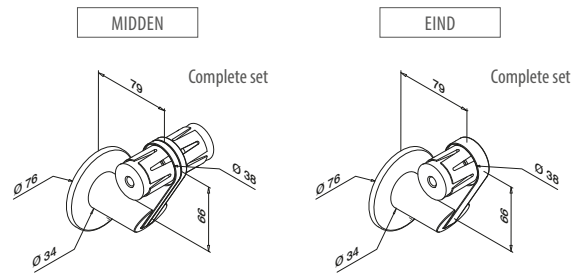
**Handrailingsteunen**

Glasbevestiging  
Glasbevestiging, paar  
Wandbevestiging

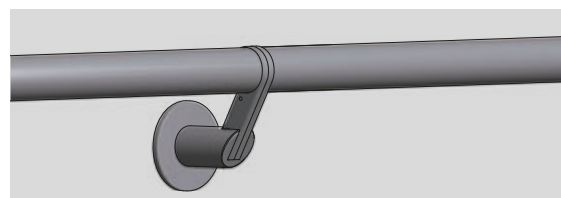
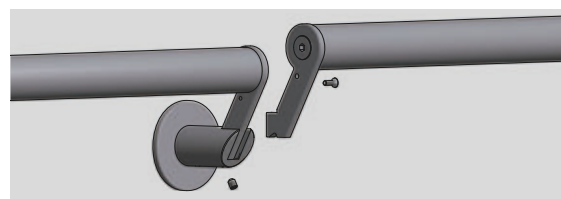
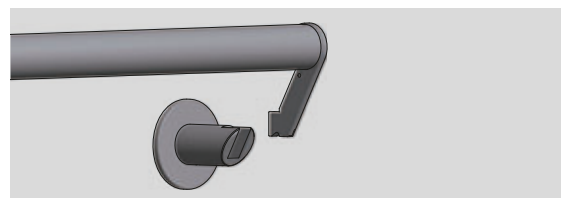
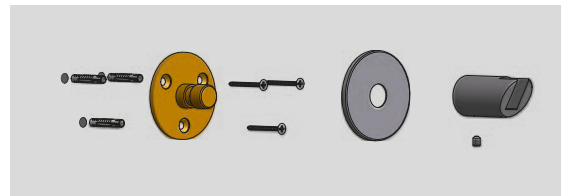
Buis / Omnibend  
Bochtstukken  
Eindstukken  
Eindstukken wandbevestiging

Losse producten

**Lang**



MIDDEN
<b>HANDRAILINGSTEUN, WANDBEVESTIGING - MET ROZET</b>
316
14.9036.010.12
EIND
316
14.9036.110.12



Blok Easy Glass

**Topmontage**

Spigot Fixing  
Spigot Fixing Glass Link

**Zijmontage**

Two Point Fixing  
Blok Fixing  
Blok Fixing Full Glass

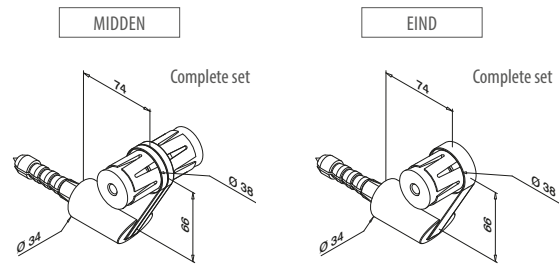
**Handrailingsteunen**

Glasbevestiging  
Glasbevestiging, paar  
Wandbevestiging

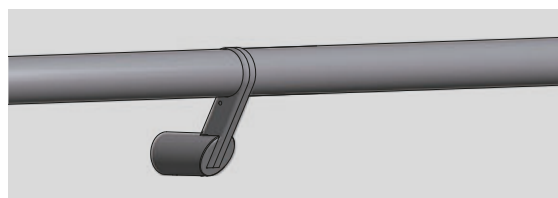
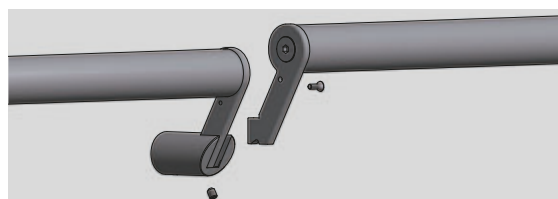
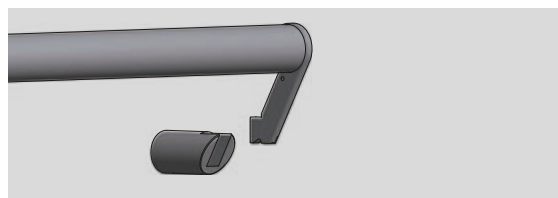
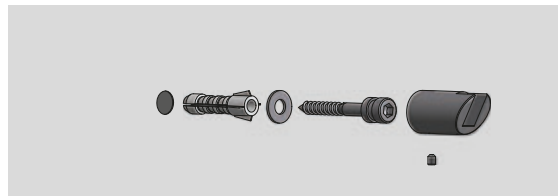
Buis / Omnibend  
Bochstukken  
Eindstukken  
Eindstukken wandbevestiging

Losse producten

**Lang**



MIDDEN
<b>HANDRAILINGSTEUN, WANDBESTIGING - ZONDER ROZET</b>
316
14.9036.020.12
EIND
316
14.9036.120.12





Blok Easy Glass

**Topmontage**

Spigot Fixing  
Spigot Fixing Glass Link

**Zijmontage**

Two Point Fixing  
Blok Fixing  
Blok Fixing Full Glass

**Handrailingsteunen**

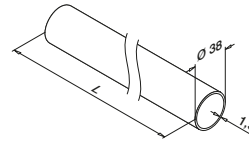
Glasbevestiging  
Glasbevestiging, paar  
Wandbevestiging

**Buis / Omnibend**

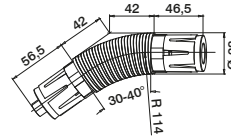
Bochtstukken  
Eindstukken  
Eindstukken wandbevestiging

Losse producten

Buis voor handrailing



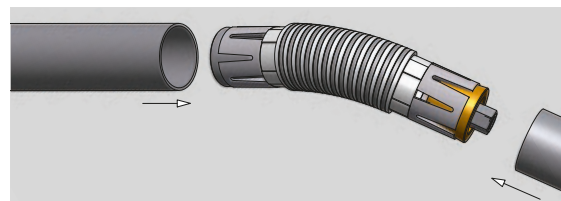
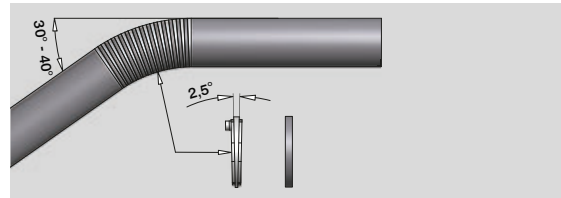
Omnibend 30 - 40°



d line

Ø 38	
<b>BUIS VOOR HANDRAILING</b>	
<b>316</b>	<b>L</b>
14.8930.138.12	3000

Ø 38
<b>OMNIBEND 30 - 40° (FLEXIBELE VERBINDER)</b>
<b>316</b>
14.9042.100.01



Blok Easy Glass

**Topmontage**

Spigot Fixing  
Spigot Fixing Glass Link

**Zijmontage**

Two Point Fixing  
Blok Fixing  
Blok Fixing Full Glass

**Handrailingsteunen**

Glasbevestiging  
Glasbevestiging, paar  
Wandbevestiging

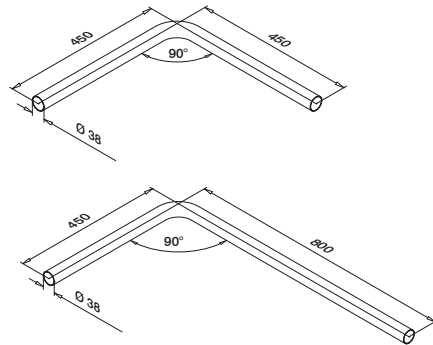
Buis / Omnibend

**Bochtstukken**

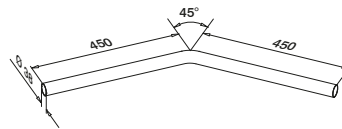
Eindstukken  
Eindstukken wandbevestiging

Losse producten

Bochtstuk 90°

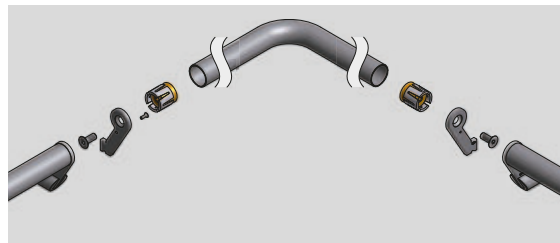


Bochtstuk 45°



Ø 38	
<b>BOCHTSTUK 90°</b>	
<b>316</b>	<b>L</b>
14.9030.310.12	450 x 450
14.9030.315.12	450 x 800

Ø 38	
<b>BOCHTSTUK 45°</b>	
<b>316</b>	<b>L</b>
14.9030.325.12	450 x 450





Blok Easy Glass

**Topmontage**

Spigot Fixing  
Spigot Fixing Glass Link

**Zijmontage**

Two Point Fixing  
Blok Fixing  
Blok Fixing Full Glass

**Handrailingsteunen**

Glasbevestiging  
Glasbevestiging, paar  
Wandbevestiging

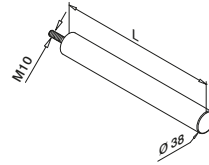
Buis / Omnibend  
Bochtstukken

**Eindstukken**

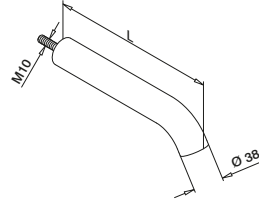
Eindstukken wandbevestiging

Losse producten

Recht eindstuk



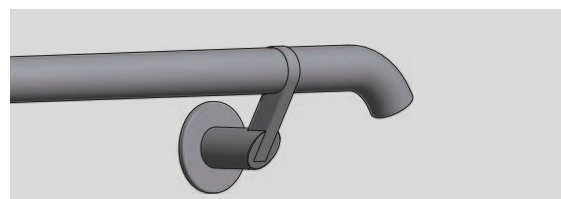
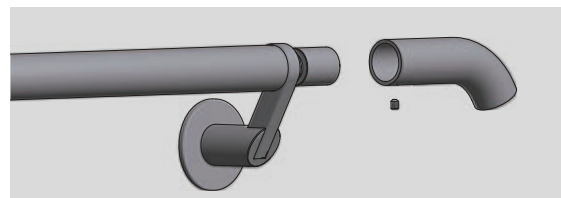
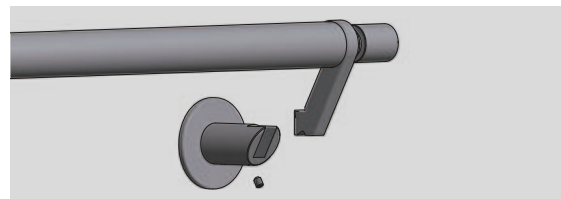
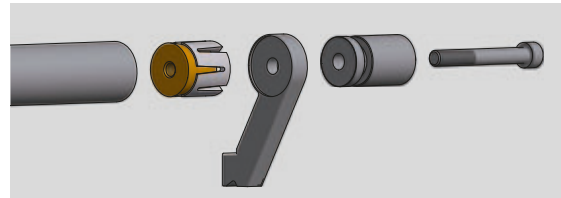
Gebogen eindstuk 32°



d line

Ø 38	
RECHT EINDSTUK	
316	L
14.9043.150.12	130
14.9043.200.12	180
14.9043.250.12	230
14.9043.300.12	280
14.9043.350.12	330

Ø 38	
GEBOGEN EINDSTUK 32°	
316	L
14.9044.150.12	150
14.9044.200.12	200
14.9044.250.12	250
14.9044.300.12	300
14.9044.350.12	350



Blok Easy Glass

**Topmontage**

Spigot Fixing  
Spigot Fixing Glass Link

**Zijmontage**

Two Point Fixing  
Blok Fixing  
Blok Fixing Full Glass

**Handrailingsteunen**

Glasbevestiging  
Glasbevestiging, paar  
Wandbevestiging

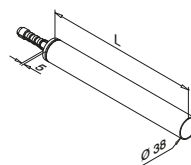
Buis / Omnibend  
Bochstukken  
Eindstukken  
Eindstukken wandbevestiging

Losse producten

Ø 38	
RECHT EINDSTUK, WANDBEVESTIGING	
316	L
14.9045.300.12	300
14.9045.800.12	800

Ø 38	
GEBOGEN EINDSTUK 90°, WANDBEVESTIGING	
316	L
14.9046.300.12	300
14.9046.800.12	800

Recht eindstuk



Gebogen eindstuk 90°

