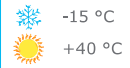
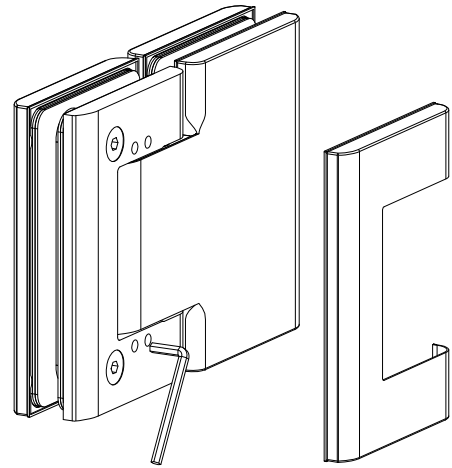


# 8015JC

## BILOBA®



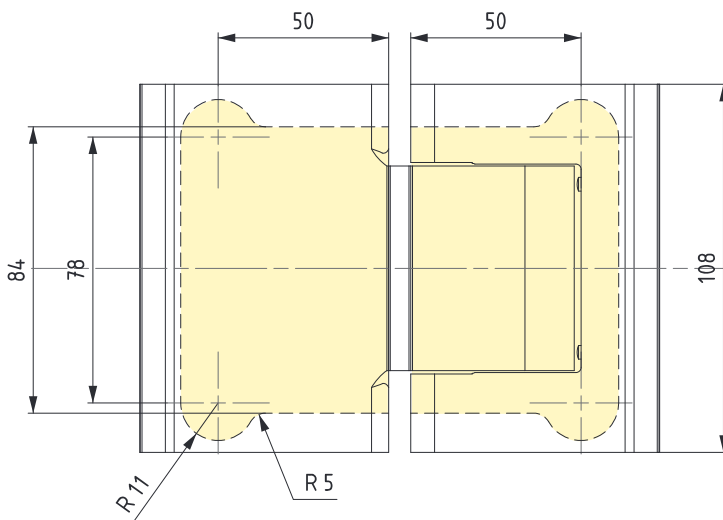
• Hydraulic hinge (glass to glass 180°) with adjustment of the closing speed of the door and **zero point adjustability**. Inner body is anodized with the special deep oxidation (20 micron) and cover made of stainless steel AISI 316. Stop at 0° +90° -90°.



**NO ANTI-WIND BRAKE**

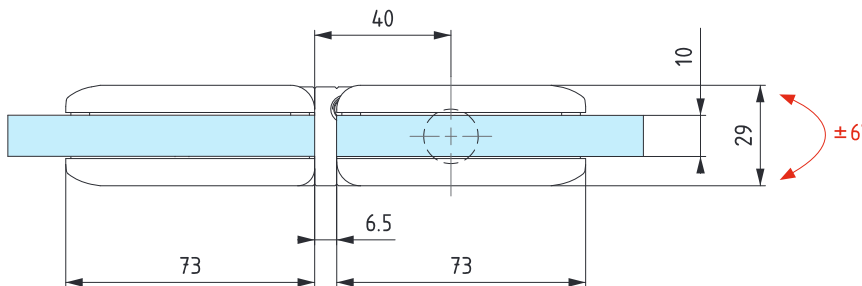
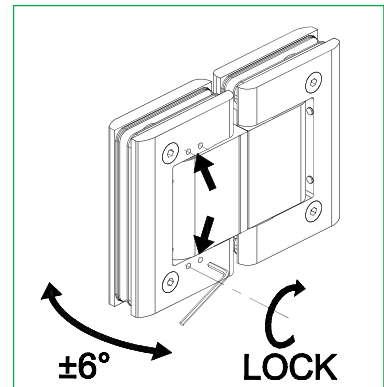
**CAUTION** VIOLENT OPENING FURTHER THAN 95° COULD UNHINGE THE DOOR. WE SUGGEST TO INSTALL A DOOR STOP

AVAILABLE IN FURTHER VERSION WITHOUT 90° STOP. It have to be specified on being ordered and could be subjected to minimum quantity order. For further information, please contact the export department.

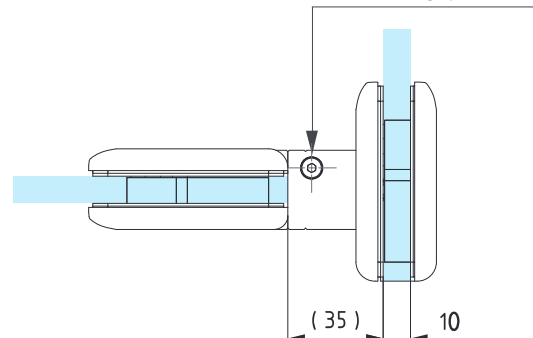


Classificazione secondo normativa - Clasificación según la ley - Classification according to the law  
Klassifizierung nach den Vorschriften

art. 8015JC	UNI EN 1154:2006	3	8	2/5	0	1	4
-------------	------------------	---	---	-----	---	---	---



Adjustment valve for the door's closing speed



TESTED FOR 1.000.000 CYCLES.